

# Limni 720

Collection: Elevate



## Wall basin with shelf and integrated overflow

Elegant yet relaxed with flowing lines and curves.

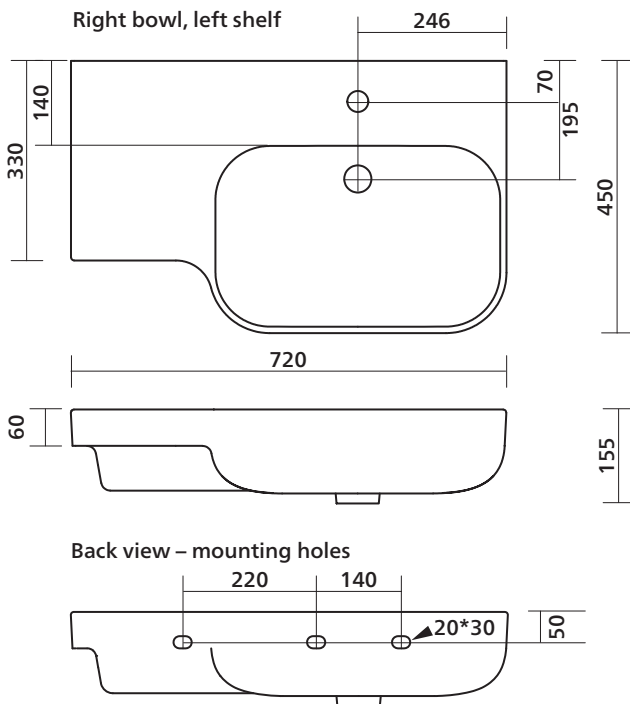
### Order codes

**RIGHT BOWL, LEFT SHELF**  
 192303 Limni 720, right bowl + left shelf, no taphole, with overflow  
 192304 Limni 720, right bowl + left shelf, 1 taphole, with overflow

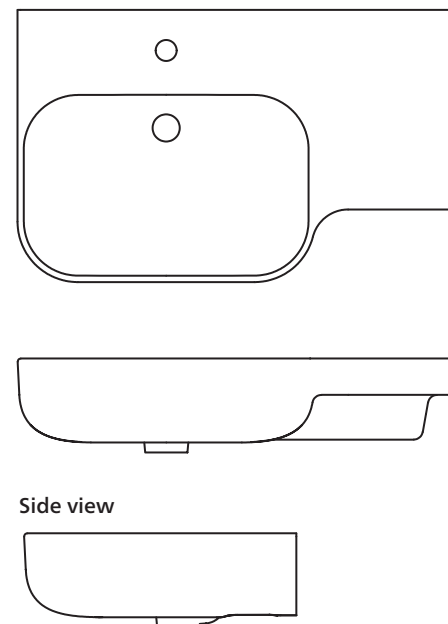
**LEFT BOWL, RIGHT SHELF**  
 192305 Limni 720, left bowl + right shelf, no taphole, with overflow  
 192306 Limni 720, left bowl + right shelf, 1 taphole, with overflow

### Product details

**TAPHOLE** 0 or 1 taphole.  
**WASTE** Suits 32 mm waste (not supplied).  
**OVERFLOW** Integrated overflow.  
**MATERIAL** Vitreous china.  
**FINISH** Gloss.  
**COLOUR** White.  
**FIXING** Always use the actual basin to verify cutout.  
 Back of basin includes mounting holes.  
 Use silicone sealant. Do not use epoxy type adhesives.



Left bowl, right shelf



Side view


### Premium Basin Wastes (AVAILABLE SEPARATELY)

**POP-OUT BASIN WASTE – CERAMIC CAP + CHROME BASE**  
 192258 Ceramic Pop-out Basin Waste, White Gloss  
 (Note: Ceramic caps are also available in other colours and finishes)

**POP-OUT BASIN WASTE – COLOUR METAL CAP + BASE**  
 192010 Pop-out Basin Waste – Chrome  
 192012 Pop-out Basin Waste – Brushed Nickel  
 192199 Pop-out Basin Waste – Gunmetal  
 192013 Pop-out Basin Waste – Brushed Gold  
 192009 Pop-out Basin Waste – White Matte  
 192011 Pop-out Basin Waste – Black Matte



basin wastes

 Basin has integrated overflow

# SEIMA

kitchen + laundry + bathroom ware

seima.com.au

### Please note

- All measurements are in millimetres.
- Dimensions are nominal and subject to normal ceramic manufacturing variations of  $\pm 5$ mm.
- Wastes, taps and bottle traps shown in images are not included unless specified.
- Fixing: Use silicone sealant. Do not use epoxy type adhesives.
- Always use the actual basin to verify cutout.
- Specifications may vary without notice as part of our continuous improvement practices.
- Clean with a damp cloth. Do not use abrasive cleaners, liquids or pastes.